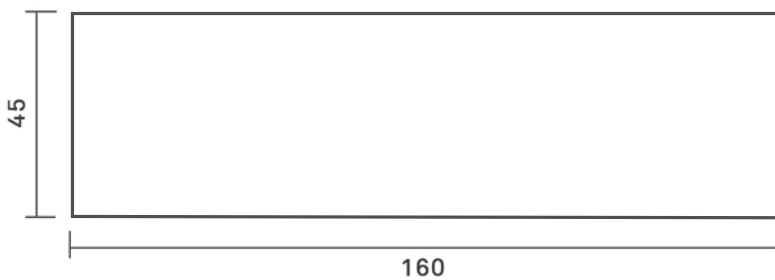
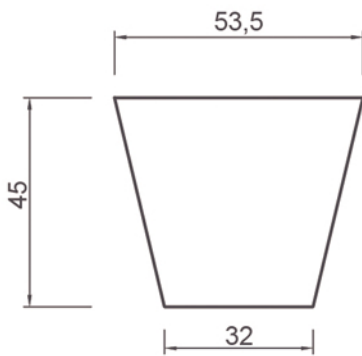


MAY

BANTRAREC



MAY

WEIGHT	739Kg
DIMENSIONS	53,5 cm width 160 cm large 45 cm height
FINISHES	NATURAL MATE POLISHED
COLORS	

The May bench is a robust and compact trapezoidal concrete structure. Its heaviness removes the need of anchorage, thus easily placeable and immediately integrable to any space. Albeit its husky appearance it remains an elegant and modern design. The design language makes the piece combinable with a wide range of styles.

*The dimensions of the products shown on the webpage serve as an illustrative character and do not represent a contractual obligation of any kind. For more information, please do not hesitate to contact us. Copyright © 2020 Durban Precast. All rights reserved

REV 00 | FV 2020/09/17



www.durbanprecast.com

